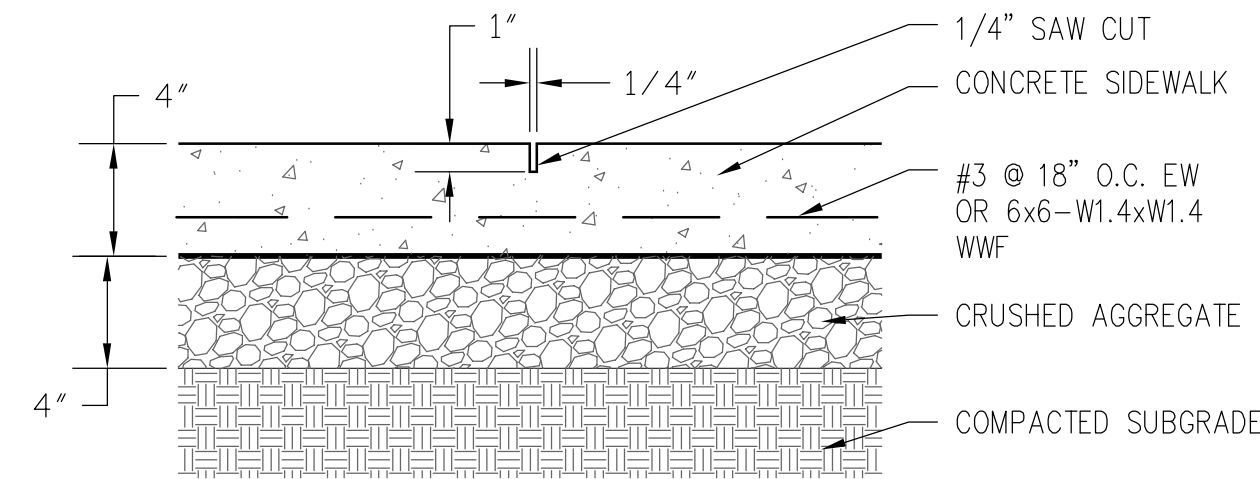
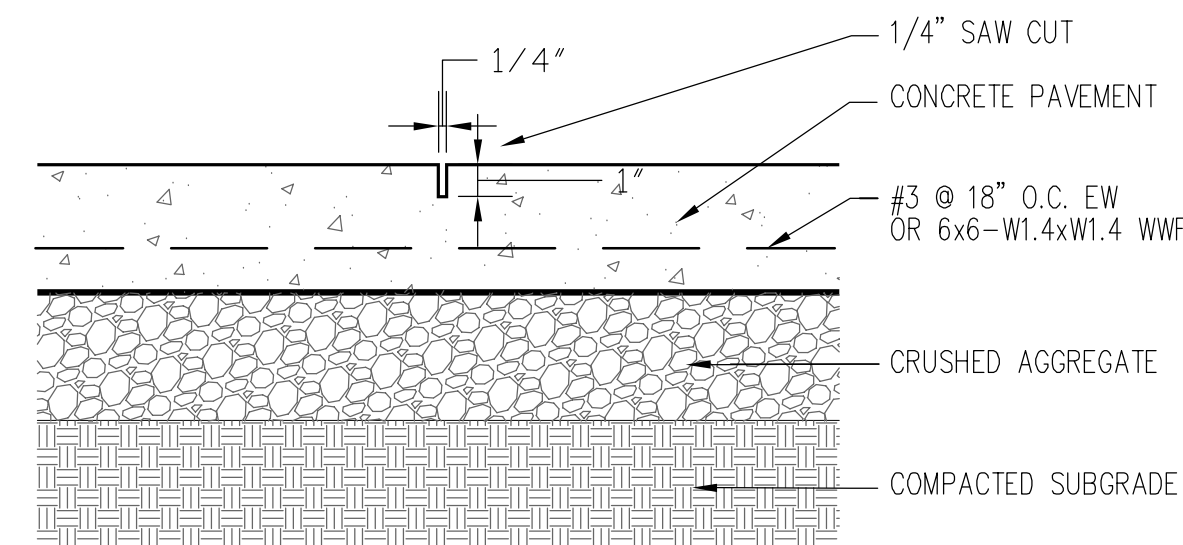


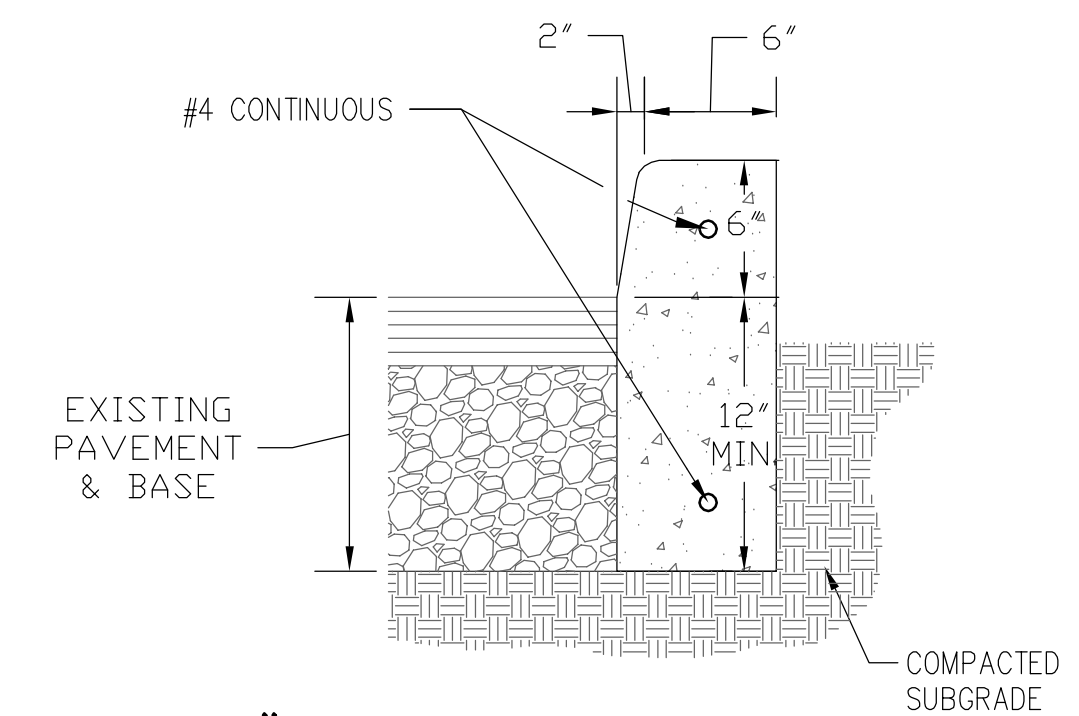
SECTION A - A'  
SCALE: 1" = 20'



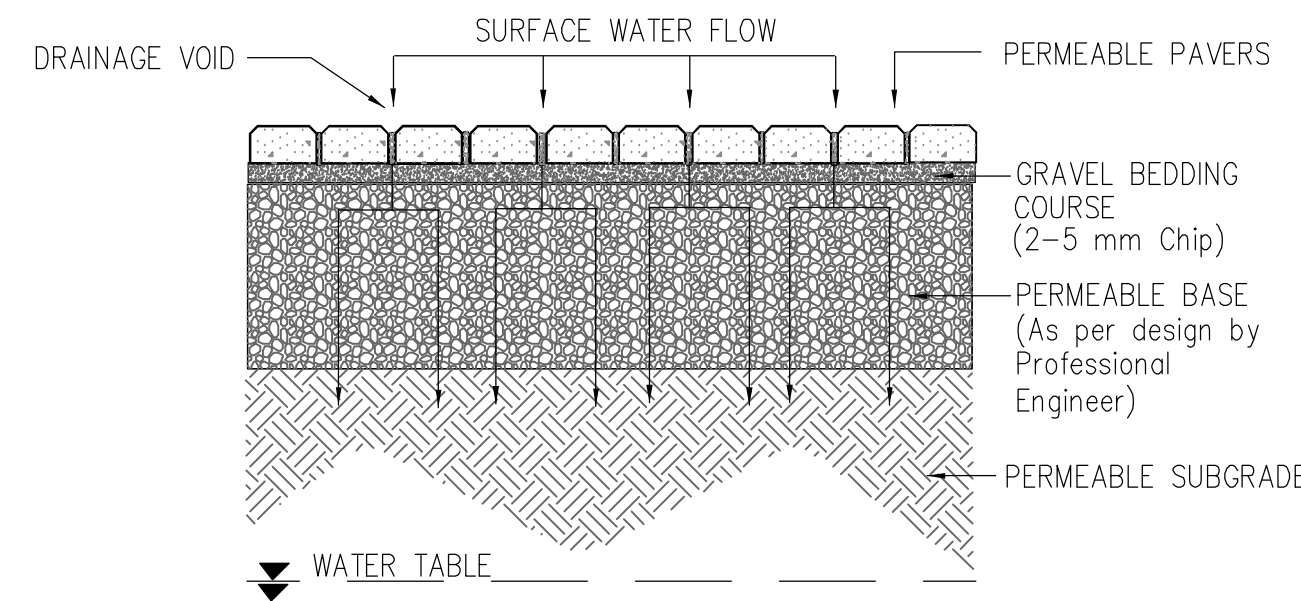
4" CONCRETE SIDEWALK  
SCALE: NOT TO SCALE



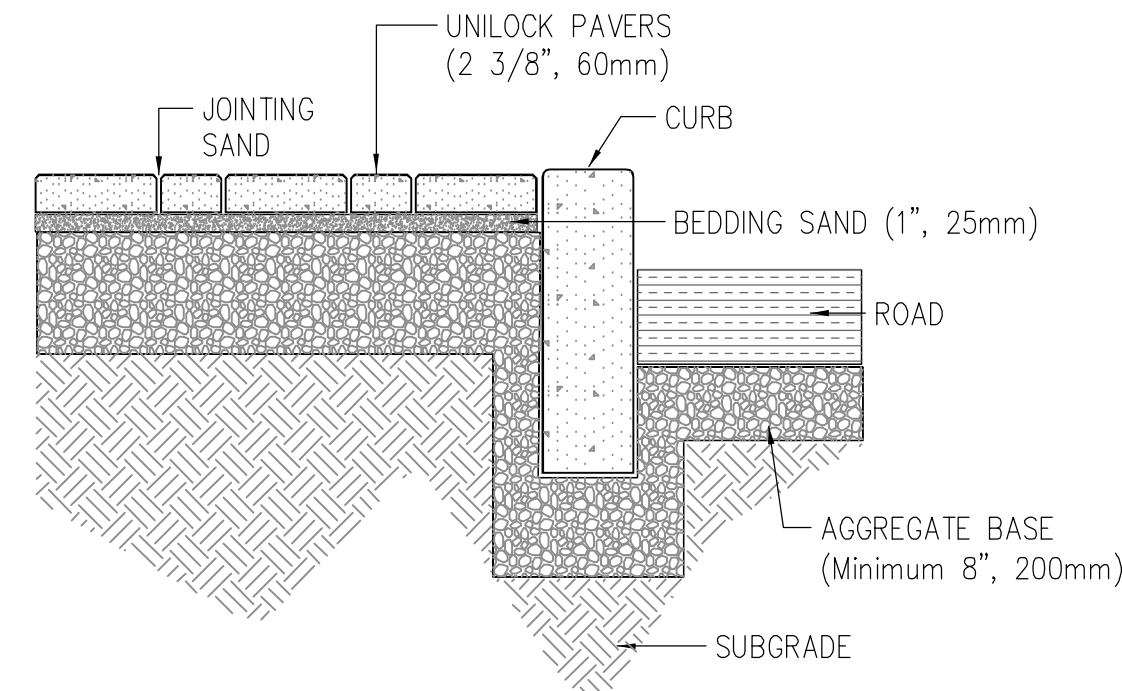
6" CONCRETE PAVEMENT  
SCALE: NOT TO SCALE



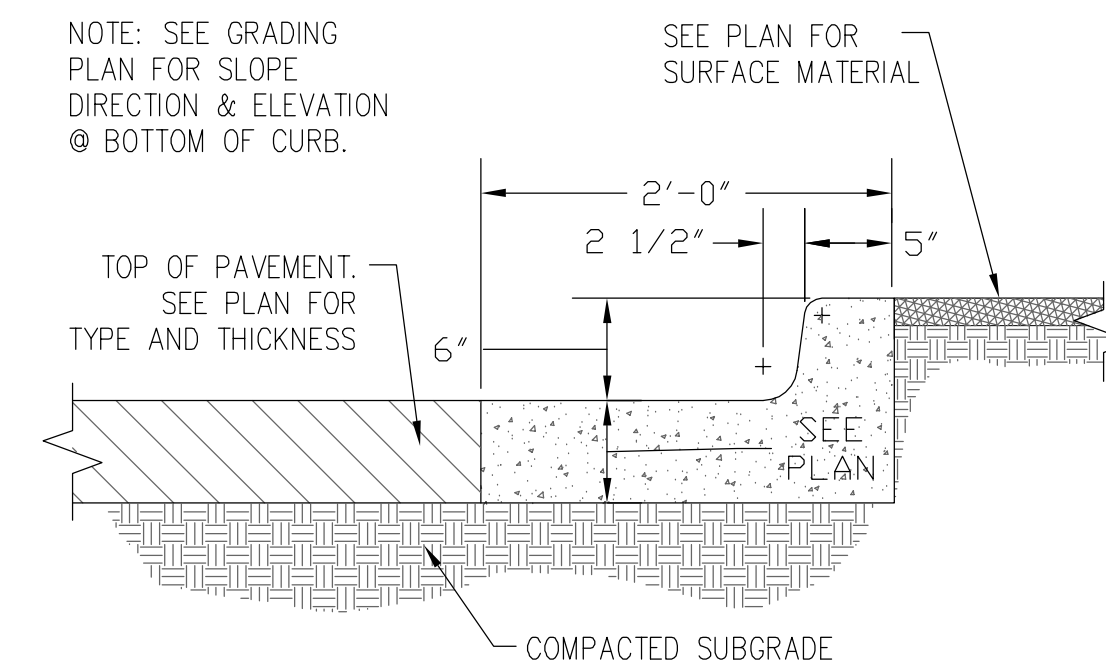
6" CONCRETE CURB  
SCALE: NOT TO SCALE



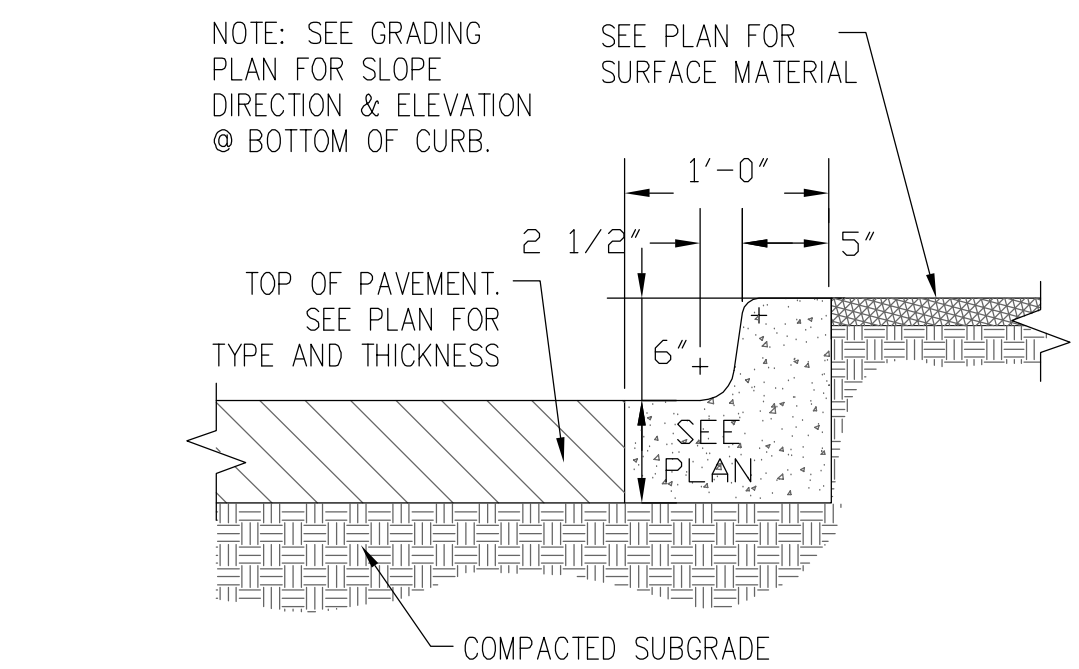
PERMEABLE PAVERS  
SCALE: NOT TO SCALE



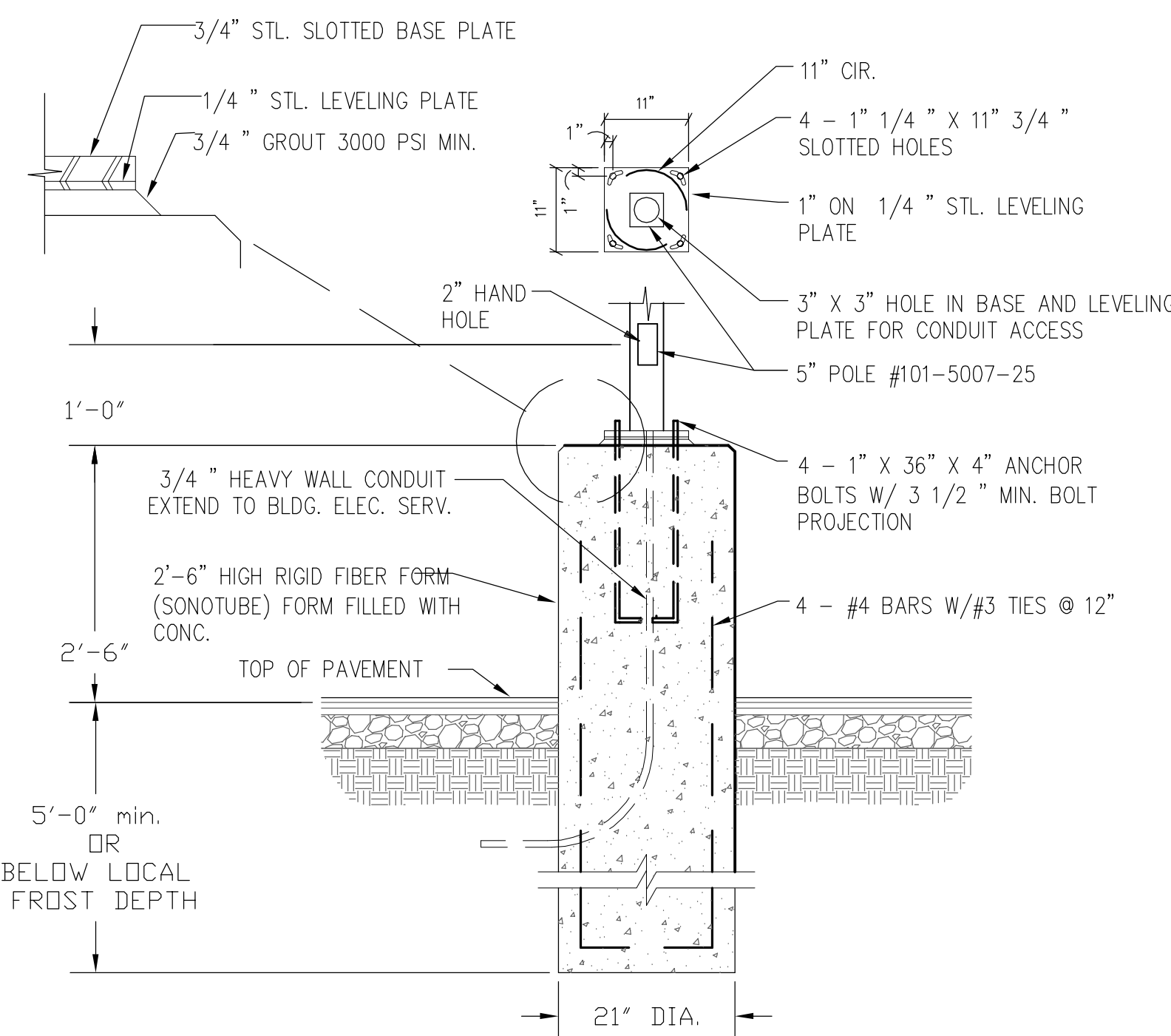
CONCRETE PAVERS  
SCALE: NOT TO SCALE



2' CONC. CURB AND GUTTER  
SCALE: NOT TO SCALE

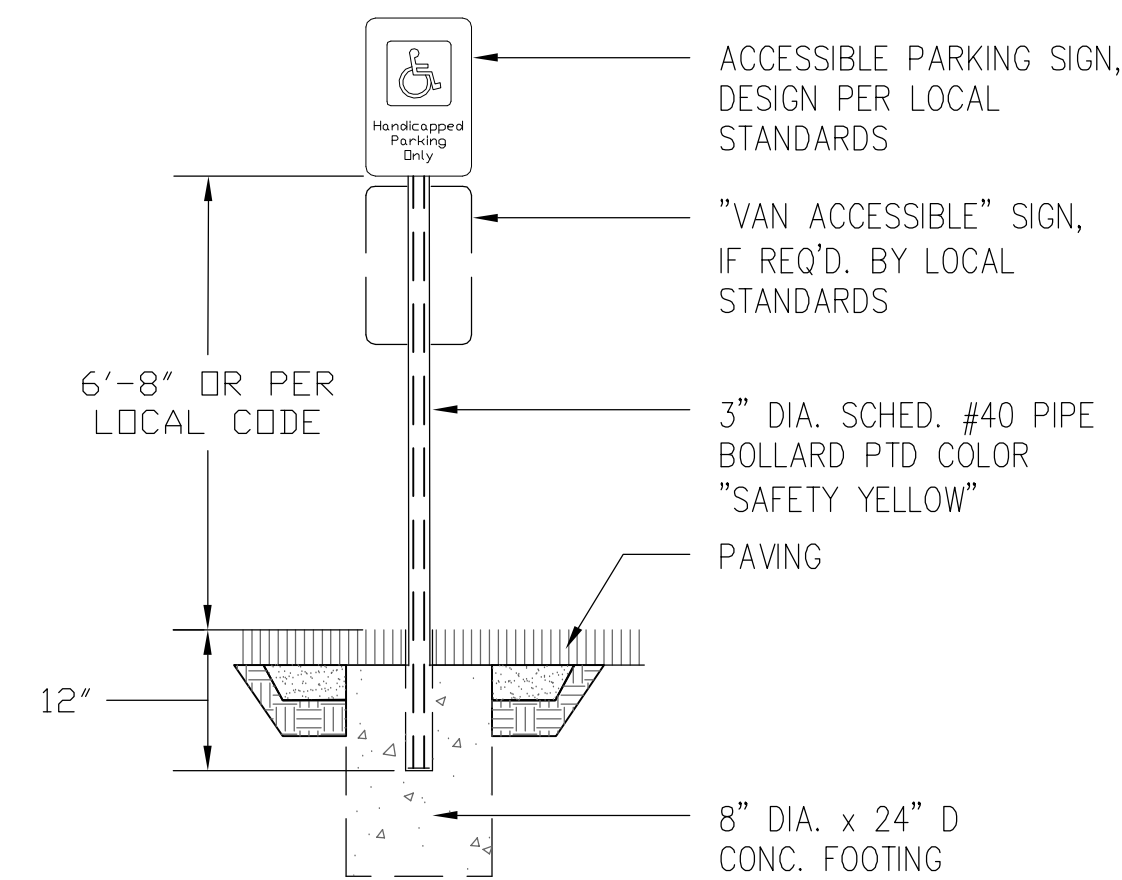


1' CONC. CURB AND GUTTER  
SCALE: NOT TO SCALE

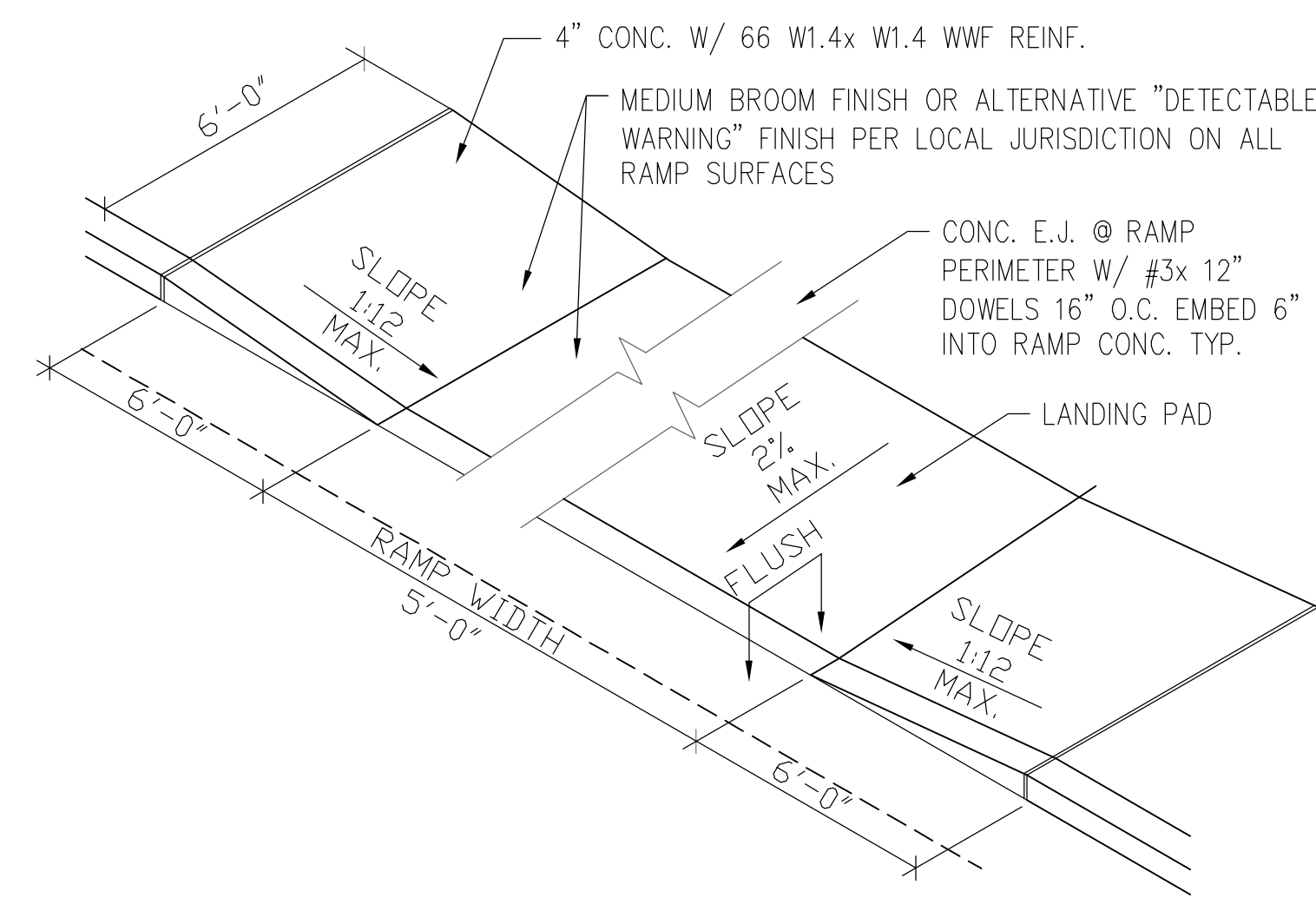


LIGHT POLE BASE  
SCALE: NOT TO SCALE

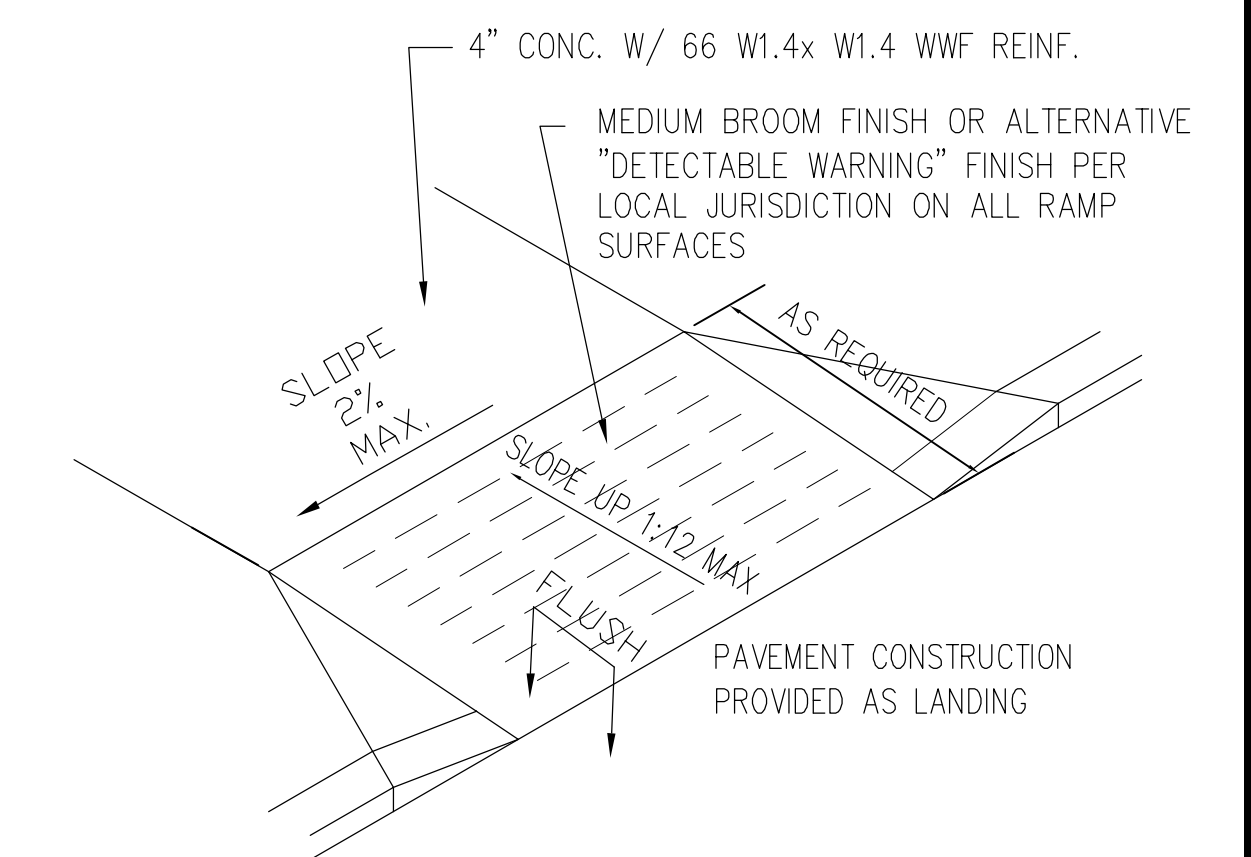
NOTES:  
1. FOUNDATION SHOWN IS A TYPICAL DESIGN. WIND LOADS OF MORE THAN 100 MPH AND UNSTABLE SOIL CONDITIONS MAY REQUIRE AN ALTERNATE DESIGN. VERIFY CONDITION OF SOILS WITH SOILS REPORT  
2. FOUNDATIONS SHALL EXTEND BELOW FROST DEPTH PER LOCAL CODES.



ACCESSIBLE SIGNAGE  
SCALE: NOT TO SCALE



ACCESSIBLE SIDEWALK RAMP  
SCALE: NOT TO SCALE



ACCESSIBLE SIDEWALK RAMP  
SCALE: NOT TO SCALE

Issue / Revision	Date
SCHEMATIC DESIGN	02-26-2010

Job No. 09035 Proj. Mgr. avg  
Sheet Title SITE PLAN  
Sheet No. SP7